



OCTOPUS

I S R S Y S T E M S

A DIVISION OF
UAV FACTORY

EPSILON 175

**SMALLEST 4 SENSOR MWIR GIMBAL WITH LONG RANGE
CONTINUOUS ZOOM CAPABILITY**

DATASHEET 1.0



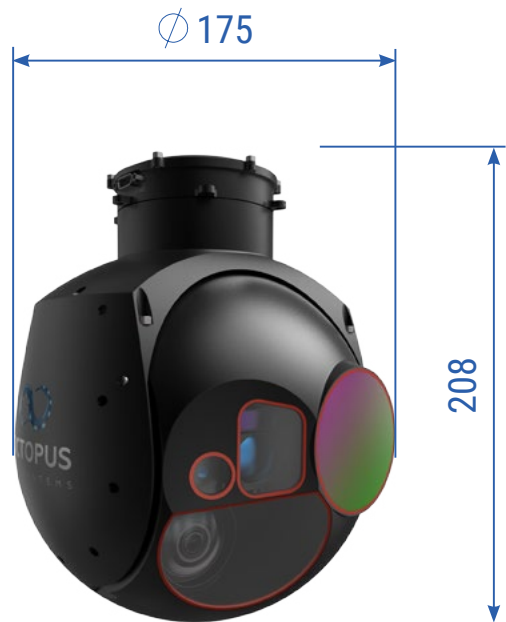
Jaunbridagi 1, Marupe, Latvia, LV-2167

Phone: +371-26321533

Sales: sales@octopus-isr.com

www.octopus-isr.com

System specifications	
Stabilization	<75 µrad
Weight	2600 grams
Size	Diameter - 175mm Height - 208mm
Environmental Protection	IP64 (IP66 optional)
Operating Temperature	-40 to +50° C
Rotation Limits	360° continuous pan -80° to +10° elevation
Slew rate	120 deg/sec
Power	35W typical
Input Voltage	24 Volts
Video Out	Digital H.264 encoded video Analog PAL or NTSC
Control Interface	RS 232, Ethernet



Onboard Image Processor Specifications	
Object tracking	Yes
Scene steering	Yes
Software stabilization	Yes
Software roll correction	Yes
HD Video output	720p HD output
Onboard Video Recording Snapshots	32 Gb onboard memory
H.264 encoding	Yes
Moving Target Indicator	Yes
Video Enhancement	Yes
Geo-Location Feature	Yes
Moving Map Software	Yes
Picture-in-picture	Yes

EO Sensor	
Sensor name	Hitachi DISC120R
Type	EO sensor
Global shutter	Yes
Vertical FOV	37.9°-1.3°
Resolution	HD 1270x720px
Optical zoom	30x

Laser Rangefinder	Class I (Eyesafe)
Type	Diode laser
Range	Up to 5000m (static applications) Up to 2500m (dynamic applications)
Accuracy	Better than 1m

IR Sensor	
Sensor name	XBn
Type	3-5µ staring array, cooled
IR Lens	15x zoom lens 18 - 275 mm
Vertical FOV	24.2° - 1.5°
Resolution	SD 640x480px
Frame rate	30 fps

Laser Illuminator	class IIIb
Wavelength	830nm
Power output	50mW

IR Sensor DRI		
	Range (Km)	Range (Km)
Target	Human	NATO
Detection	8.6	12.4
Recognition	2.9	7
Identification	1.4	3.5

Jaunbridagi 1, Marupe, Latvia, LV-2167
 Phone: +371-26321533
 Sales: sales@octopus-isr.com
www.octopus-isr.com